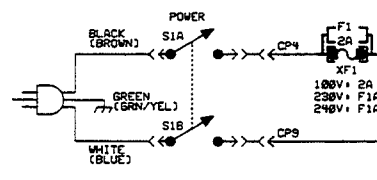
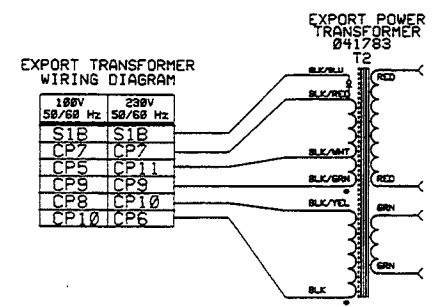
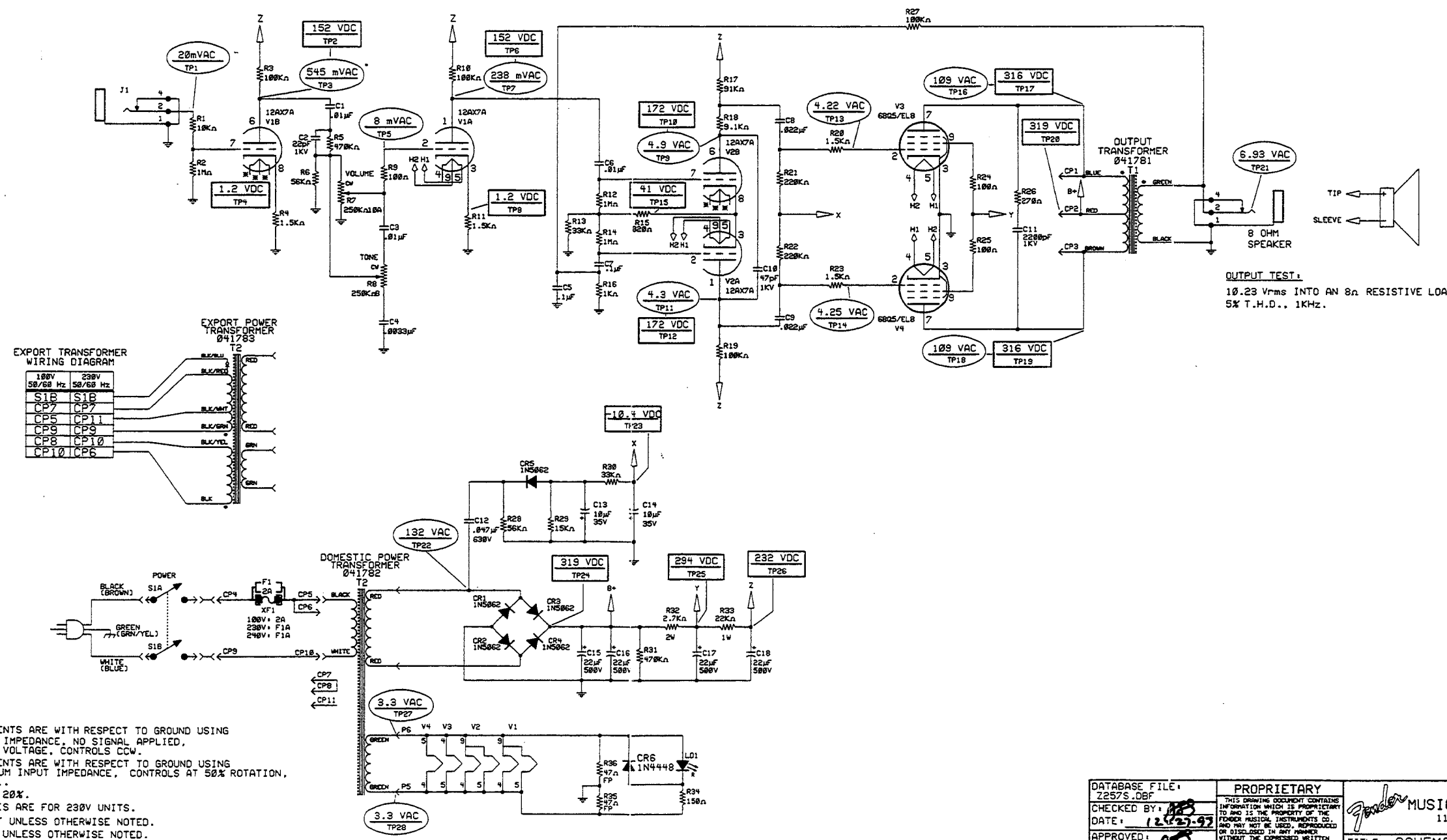


REVISIONS				
ZONE	REV.	DESCRIPTION	DATE	APPROVED
A		PR257 RELEASE	9/21/93	JSS
B		EC 1093	10/21/93	JSS



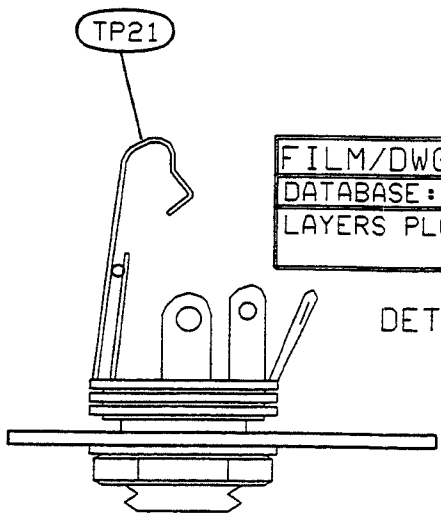
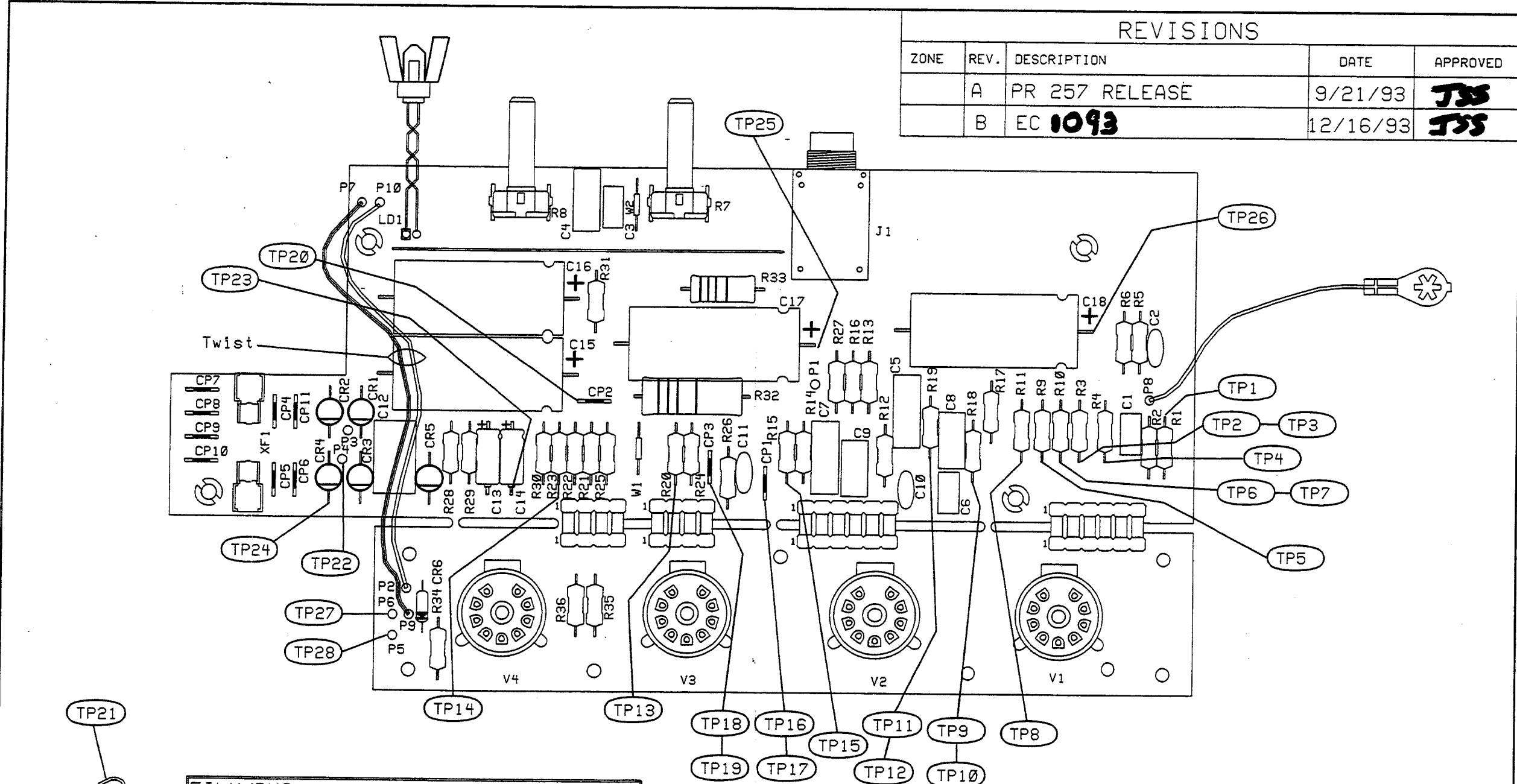
- NOTES:
- 1 DC VOLTAGE MEASUREMENTS ARE WITH RESPECT TO GROUND USING A DVM OF 10MΩ INPUT IMPEDANCE, NO SIGNAL APPLIED, 120 VAC, 60 Hz LINE VOLTAGE, CONTROLS CCW.
 - 2 AC VOLTAGE MEASUREMENTS ARE WITH RESPECT TO GROUND USING A DVM OF 1 MΩ MINIMUM INPUT IMPEDANCE, CONTROLS AT 50% ROTATION, SIGNAL APPLIED AT J1.
 - 3 VOLTAGES MAY VARY ± 20%.
 - 4 COLORS IN PARENTHESIS ARE FOR 230V UNITS.
 - 5 ALL RESISTORS 1/2 WATT UNLESS OTHERWISE NOTED.
 - 6 ALL CAPACITORS 400V UNLESS OTHERWISE NOTED.

DATABASE FILE: 2257S.DBF CHECKED BY: JSS DATE: 12/27-93 APPROVED: JSS DATE: 12/27-93 TOLERANCES: UNLESS OTHERWISE NOTED X.X .050" X.XX .010" X.XXX .005" ANGLES .500°	PROPRIETARY THIS DRAWING DOCUMENT CONTAINS INFORMATION WHICH IS PROPRIETARY TO AND IS THE PROPERTY OF THE FENDER MUSICAL INSTRUMENTS CO. AND MAY NOT BE USED, REPRODUCED OR DISCLOSED IN ANY MANNER WITHOUT THE EXPRESSED WRITTEN CONSENT FROM: FENDER MUSICAL INSTRUMENTS CO. 1130 COLUMBIA ST. BREA, CALIFORNIA 92621 ROCK ON. NEXT HIGHER ASSEMBLY: CREATED: PLOTTED: 20-DEC-93 SHEET 1 OF 1	Fender MUSICAL INSTRUMENTS 1130 Columbia Street Brea, CA 92621 TITLE: SCHEMATIC DIAGRAM PRO JUNIOR SIZE: DRAWN: J S SAHS DRAWING NUMBER: 047420 REV. B ENGR: J S SAHS SCALE: NONE PLOTTED: 20-DEC-93 SHEET 1 OF 1
-----------------------------------------------------------------------------------------------------------------------------------------------------------------------------------------------------	--------------------------------------------------------------------------------------------------------------------------------------------------------------------------------------------------------------------------------------------------------------------------------------------------------------------------------------------------------------------------------------------------------------------------------	-----------------------------------------------------------------------------------------------------------------------------------------------------------------------------------------------------------------------------------------------

0047421000

REVISIONS

ZONE	REV.	DESCRIPTION	DATE	APPROVED
	A	PR 257 RELEASE	9/21/93	JSS
	B	EC 1093	12/16/93	JSS



FILM/DWG: SERVICE DIAGRAM
 DATABASE: Z257P DATE: 20-DEC-93
 LAYERS PLOTTED: 1 2 3 4 10
 18

DETAIL A: LOCATION OF TP21
 CHASSIS MOUNTED
 SPEAKER JACK

DATABASE FILE:
 Z257P.DBF
 CHECKED BY: *AS*
 DATE: 12-27-93
 APPROVED: *AS*
 DATE: 12-27-93
 TOLERANCES: UNLESS OTHERWISE NOTED
 X.X ±0.050"
 X.XX ±0.010"
 X.XXX ±0.005"
 ANGLES ±0.500°

PROPRIETARY
 THIS DRAWING DOCUMENT CONTAINS INFORMATION WHICH IS PROPRIETARY TO AND IS THE PROPERTY OF THE FENDER MUSICAL INSTRUMENTS CO. AND MAY NOT BE USED, REPRODUCED OR DISCLOSED IN ANY MANNER WITHOUT THE EXPRESSED WRITTEN CONSENT FROM:
 FENDER MUSICAL INSTRUMENTS CO.
 1130 COLUMBIA ST.
 BREA, CALIFORNIA 92621
 ROCK ON.
 NEXT HIGHER ASSEMBLY:

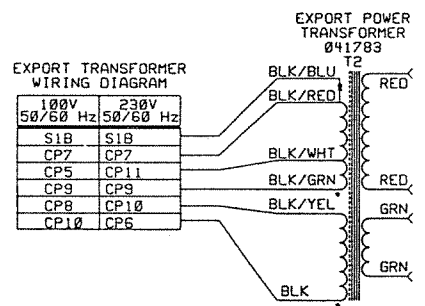
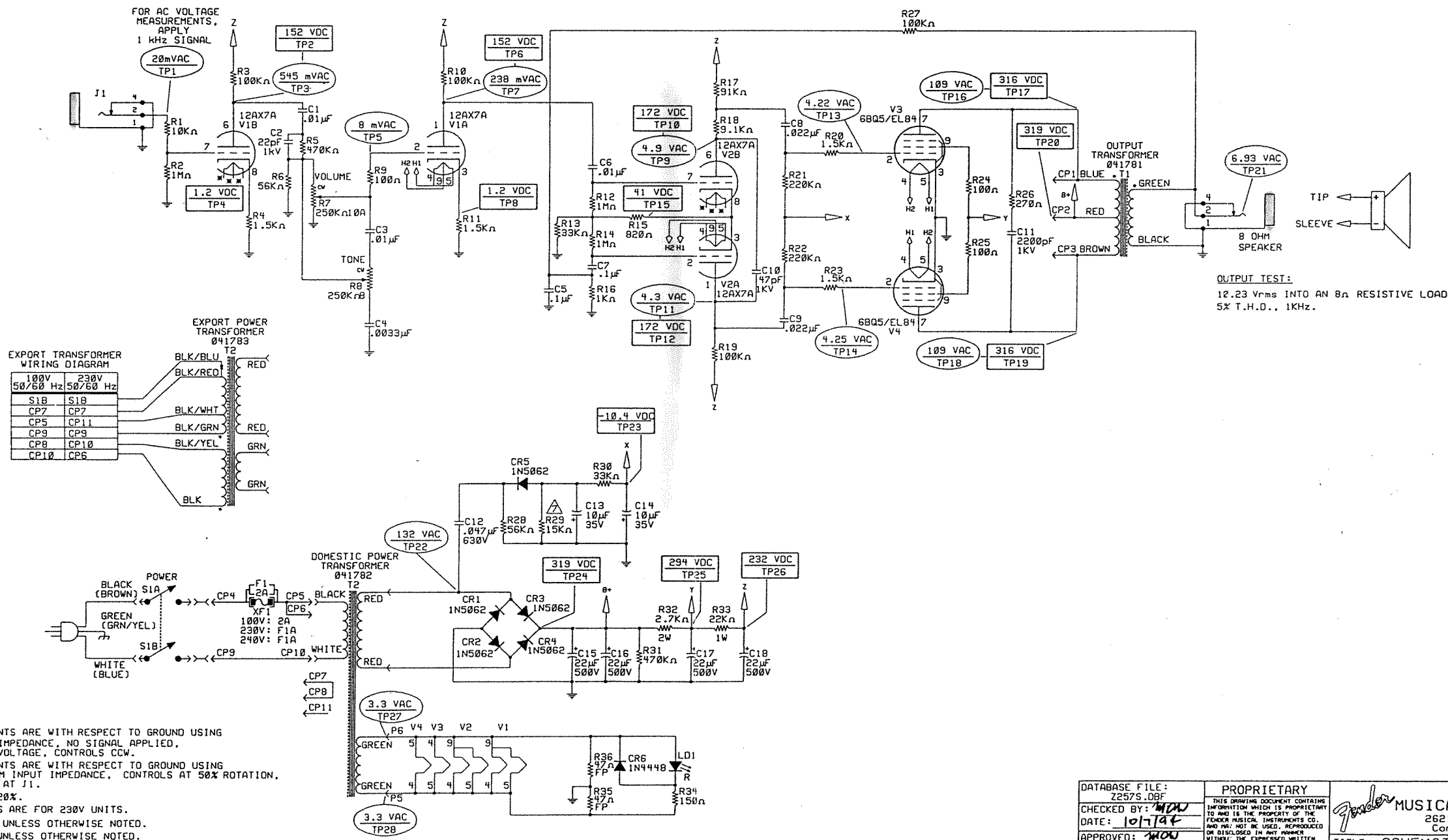
Fender MUSICAL INSTRUMENTS
 1130 Columbia Street
 Brea, Ca. 92621

TITLE: SERVICE DIAGRAM
 PRO JUNIOR

SIZE	DRAWN: J S SAMS	DRAWING NUMBER	REV.
B	ENGR: J S SAMS	047422	B

SCALE: PLOTTED: 20-DEC-93 SHEET 1 OF 1

REVISIONS				
ZONE	REV.	DESCRIPTION	DATE	APPROVED
	A	PR257 RELEASE	9/21/93	JSS
	B	EC 1093	10/21/93	JSS
	C	ECO L02942	10/7/94	MDW



- NOTES:
- DC VOLTAGE MEASUREMENTS ARE WITH RESPECT TO GROUND USING A DVM OF 10MΩ INPUT IMPEDANCE, NO SIGNAL APPLIED, 120 VAC, 60 Hz LINE VOLTAGE, CONTROLS CCW.
 - AC VOLTAGE MEASUREMENTS ARE WITH RESPECT TO GROUND USING A DVM OF 1 MΩ MINIMUM INPUT IMPEDANCE, CONTROLS AT 50% ROTATION, 1 kHz SIGNAL APPLIED AT J1.
 - VOLTAGES MAY VARY ± 20%.
 - COLORS IN PARENTHESIS ARE FOR 230V UNITS.
 - ALL RESISTORS 1/2WATT UNLESS OTHERWISE NOTED.
 - ALL CAPACITORS 400V UNLESS OTHERWISE NOTED.
- ⚠ R29 IS 18kΩ (FENDER P/N 048903) IN ALL EXPORT UNITS FOR 50Hz OPERATION.

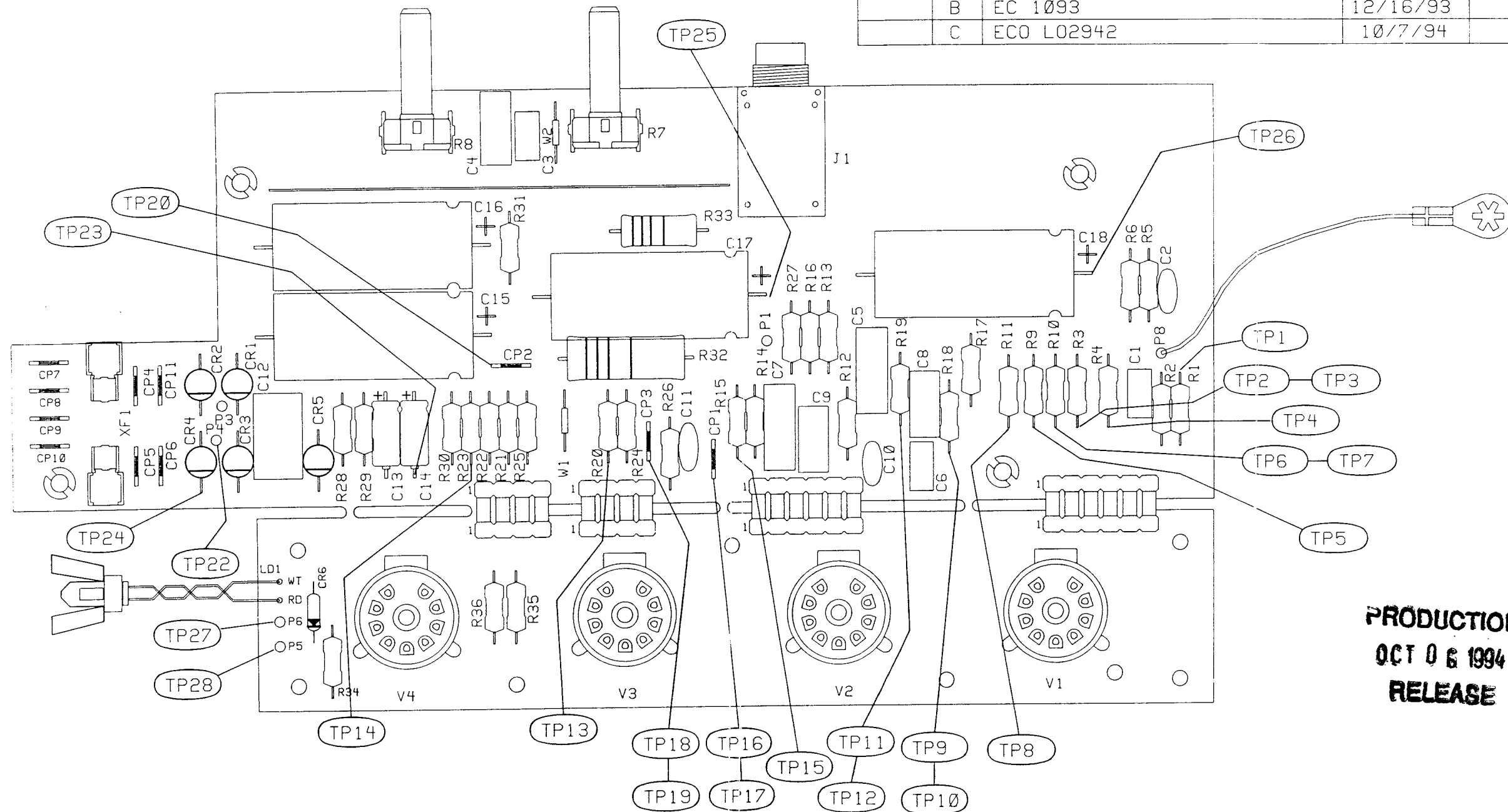
OUTPUT TEST:
12.23 Vrms INTO AN 8Ω RESISTIVE LOAD
5% T.H.D., 1KHz.

DATABASE FILE: 2257S.OBF CHECKED BY: MDW DATE: 10/7/94 APPROVED: MDW DATE: 10/7/94 TOLERANCES: UNLESS OTHERWISE NOTED X.X ±0.050" X.XX ±0.010" X.XXX ±0.005" ANGLES ±0.500°	PROPRIETARY THIS DRAWING DOCUMENT CONTAINS INFORMATION WHICH IS PROPRIETARY TO AND IS THE PROPERTY OF THE FENDER MUSICAL INSTRUMENTS CO. AND MAY NOT BE USED, REPRODUCED OR DISCLOSED IN ANY MANNER WITHOUT THE EXPRESSED WRITTEN CONSENT FROM FENDER MUSICAL INSTRUMENTS CO. REGIONAL HEADQUARTERS 2621 RESEARCH DRIVE CORONA, CA 91728	Fender MUSICAL INSTRUMENTS 2621 Research Drive Corona, CA 91720 TITLE: SCHEMATIC DIAGRAM PRO JUNIOR SIZE: DRAWN: J S SAMS DRAWING NUMBER: 047420 REV. C ENGR: J S SAMS SCALE: NONE PLOTTED: 05-OCT-94 SHEET 1 OF 1
-----------------------------------------------------------------------------------------------------------------------------------------------------------------------------------------------------------	---------------------------------------------------------------------------------------------------------------------------------------------------------------------------------------------------------------------------------------------------------------------------------------------------------------------------------------------	-----------------------------------------------------------------------------------------------------------------------------------------------------------------------------------------------------------------------------------------

0047421000

REVISIONS

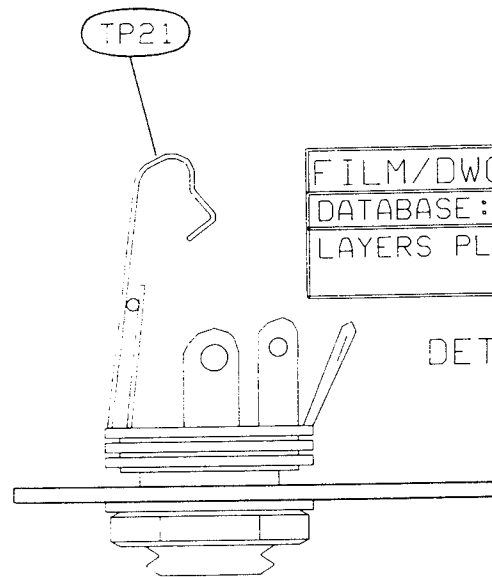
ZONE	REV.	DESCRIPTION	DATE	APPROVED
	A	PR 257 RELEASE	9/21/93	JSS
	B	EC 1093	12/16/93	JSS
	C	ECO L02942	10/7/94	MDW



**PRODUCTION
OCT 06 1994
RELEASE**

FILM/DWG: SERVICE DIAGRAM			
DATABASE: Z257P	DATE: 05-OCT-94		
LAYERS PLOTTED: 1 2 3 4	10		
	18		

DETAIL A: LOCATION OF TP21
CHASSIS MOUNTED
SPEAKER JACK



DATABASE FILE: Z257P.DBF	
CHECKED BY: <i>MDW</i>	DATE: <i>10/7/94</i>
APPROVED: <i>MDW</i>	DATE: <i>10/7/94</i>
TOLERANCES: UNLESS OTHERWISE NOTED	
X.X	±0.050"
X.XX	±0.010"
X.XXX	±0.005"
ANGLES	±0.500°

PROPRIETARY
THIS DRAWING DOCUMENT CONTAINS INFORMATION WHICH IS PROPRIETARY TO AND IS THE PROPERTY OF THE FENDER MUSICAL INSTRUMENTS CO. AND MAY NOT BE USED, REPRODUCED OR DISCLOSED IN ANY MANNER WITHOUT THE EXPRESSED WRITTEN CONSENT FROM:
FENDER MUSICAL INSTRUMENTS CO.
REGIONAL HEADQUARTERS
2621 RESEARCH DRIVE
CORONA, CA 91720 USA
NEXT HIGHER ASSEMBLY:

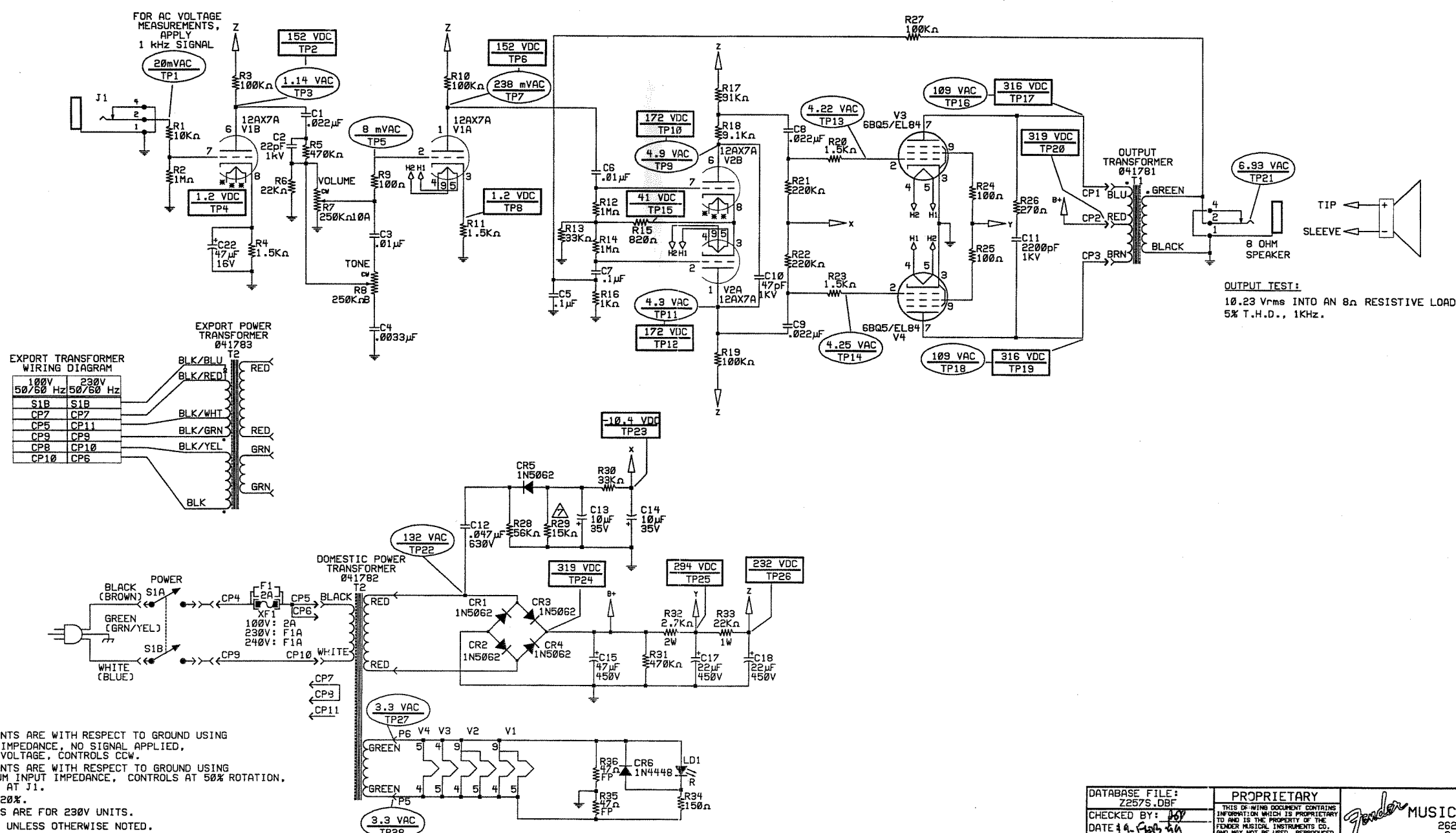
Fender MUSICAL INSTRUMENTS
2621 Research Drive
Corona, CA 91720 USA

TITLE: SERVICE DIAGRAM
PRO JUNIOR

SIZE	DRAWN: J S SAMS	DRAWING NUMBER	REV.
B	ENGR: J S SAMS	047422	C
SCALE: NONE	CREATED:	PLOTTED: 05-OCT-94 SHEET 1 OF 1	

Grounding, Hum
Shield should come in contact
with middle screen of pack
Plate

REVISIONS				
ZONE	REV.	DESCRIPTION	DATE	APPROVED
	A	PR257 RELEASE	9/21/93	JSS
	B	EC 1093	10/21/93	JSS
	C	ECO L02942	10/7/94	MDW
	D	EC 2063	7/29/98	MDW



- NOTES:
- DC VOLTAGE MEASUREMENTS ARE WITH RESPECT TO GROUND USING A DVM OF 10MΩ INPUT IMPEDANCE, NO SIGNAL APPLIED, 120 VAC, 60 Hz LINE VOLTAGE, CONTROLS CCW.
 - AC VOLTAGE MEASUREMENTS ARE WITH RESPECT TO GROUND USING A DVM OF 1 MΩ MINIMUM INPUT IMPEDANCE, CONTROLS AT 50% ROTATION, 1 KHz SIGNAL APPLIED AT J1.
 - VOLTAGES MAY VARY ± 20%.
 - COLORS IN PARENTHESIS ARE FOR 230V UNITS.
 - ALL RESISTORS 1/2 WATT UNLESS OTHERWISE NOTED.
 - ALL CAPACITORS 400V UNLESS OTHERWISE NOTED.
 - R29 IS 18kΩ (FENDER P/N 048903) IN ALL EXPORT UNITS FOR 50Hz OPERATION.
 - INSTANCES NOT USED: C16

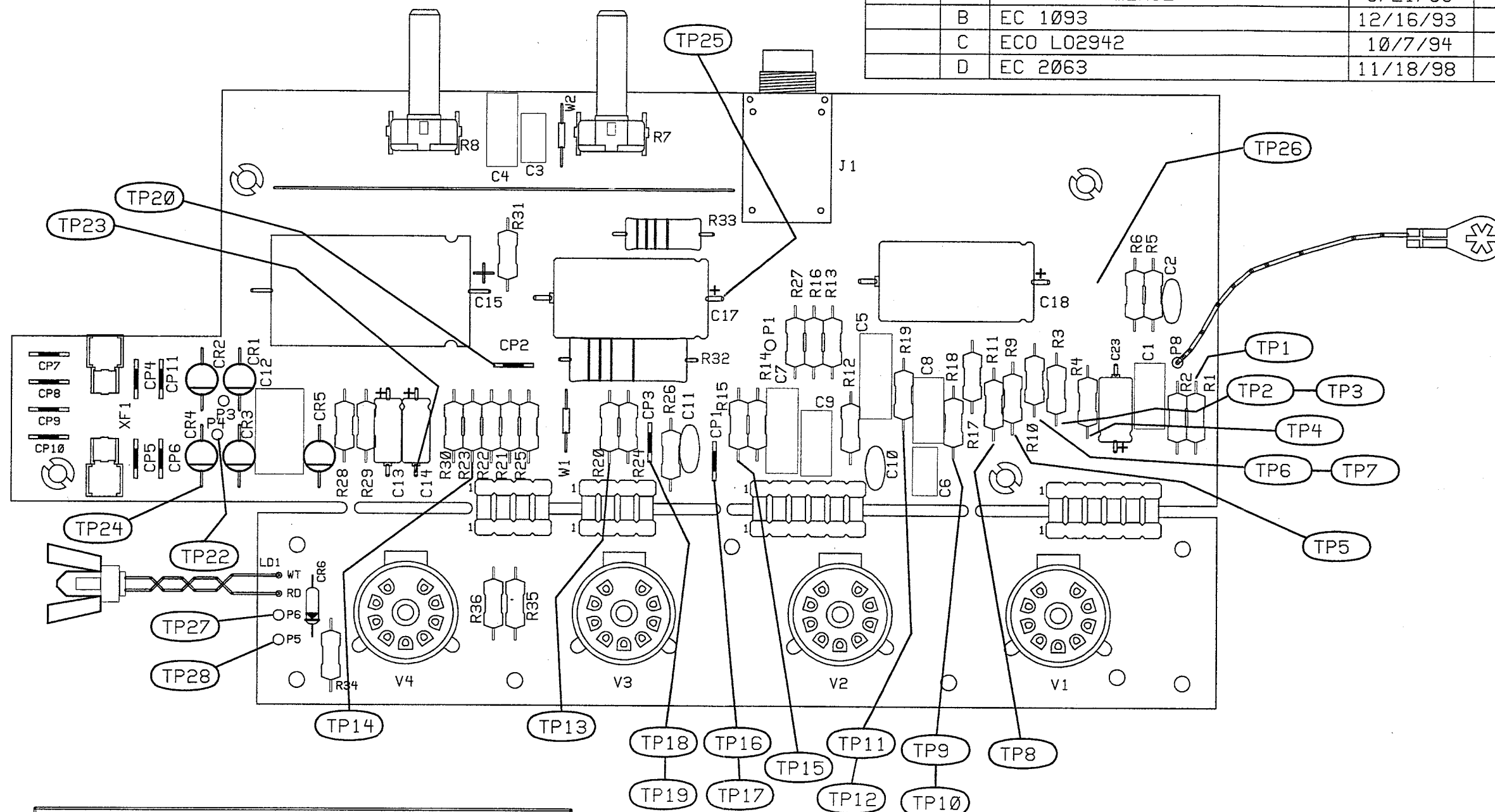
DATABASE FILE: Z257S.DBF CHECKED BY: JSS DATE: 10 Feb 94 APPROVED: JSS DATE: 2/1/94 TOLERANCES: UNLESS OTHERWISE NOTED X.X ±0.050" X.XX ±0.010" X.XXX ±0.005" ANGLES ±0.500°	PROPRIETARY THIS DRAWING DOCUMENT CONTAINS INFORMATION WHICH IS PROPRIETARY TO AND IS THE PROPERTY OF THE FENDER MUSICAL INSTRUMENTS CO. AND MAY NOT BE USED, REPRODUCED OR DISCLOSED IN ANY MANNER WITHOUT THE EXPRESSED WRITTEN CONSENT FROM: FENDER MUSICAL INSTRUMENTS CO. REGIONAL HEADQUARTERS 2621 RESEARCH DRIVE CORONA, CA 91720 RDC-3A NEXT HIGHER ASSEMBLY:	FENDER MUSICAL INSTRUMENTS 2621 Research Drive Corona, CA 91720 TITLE: SCHEMATIC DIAGRAM PRO JUNIOR SIZE: D DRAWN: R. MURRAY ENGR: J. S. SAMS DRAWING NUMBER: 047420 REV: D CREATED: 10/21/93 PLOTTED: 18 AUG 98 SHEET 1 OF 1
------------------------------------------------------------------------------------------------------------------------------------------------------------------------------------------------------------	---------------------------------------------------------------------------------------------------------------------------------------------------------------------------------------------------------------------------------------------------------------------------------------------------------------------------------------------------------------------------------------------	----------------------------------------------------------------------------------------------------------------------------------------------------------------------------------------------------------------------------------------------------------------

NOTES :

1.) INSTANCES NOT USED: C16

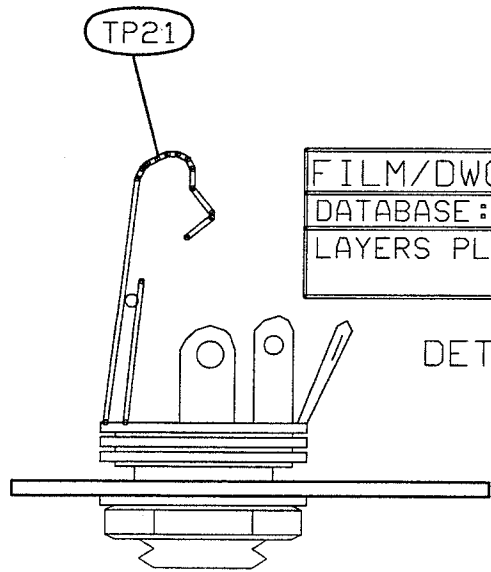
REVISIONS

ZONE	REV.	DESCRIPTION	DATE	APPROVED
	A	PR 257 RELEASE	9/21/93	JSS
	B	EC 1093	12/16/93	JSS
	C	ECO L02942	10/7/94	MDW
	D	EC 2063	11/18/98	MDW



FILM/DWG: SERVICE DIAGRAM			
DATABASE: Z257P.DBF	DATE: 03-DEC-98		
LAYERS PLOTTED: 1 2 3 4	10		
	18		

DETAIL A: LOCATION OF TP21
CHASSIS MOUNTED
SPEAKER JACK



DATABASE FILE: Z257P.DBF	
CHECKED BY: <i>POK</i>	
DATE: <i>19-FEB-99</i>	
APPROVED: <i>M. Williams</i>	
DATE: <i>2/19/99</i>	
TOLERANCES: UNLESS OTHERWISE NOTED	
X.X	±0.050"
X.XX	±0.010"
X.XXX	±0.005"
ANGLES	±0.500°

PROPRIETARY
THIS DRAWING DOCUMENT CONTAINS INFORMATION WHICH IS PROPRIETARY TO AND IS THE PROPERTY OF THE FENDER MUSICAL INSTRUMENTS CO. AND MAY NOT BE USED, REPRODUCED OR DISCLOSED IN ANY MANNER WITHOUT THE EXPRESSED WRITTEN CONSENT FROM:
FENDER MUSICAL INSTRUMENTS CO.
REGIONAL HEADQUARTERS
2621 RESEARCH DRIVE
CORONA, CA 91720 USA

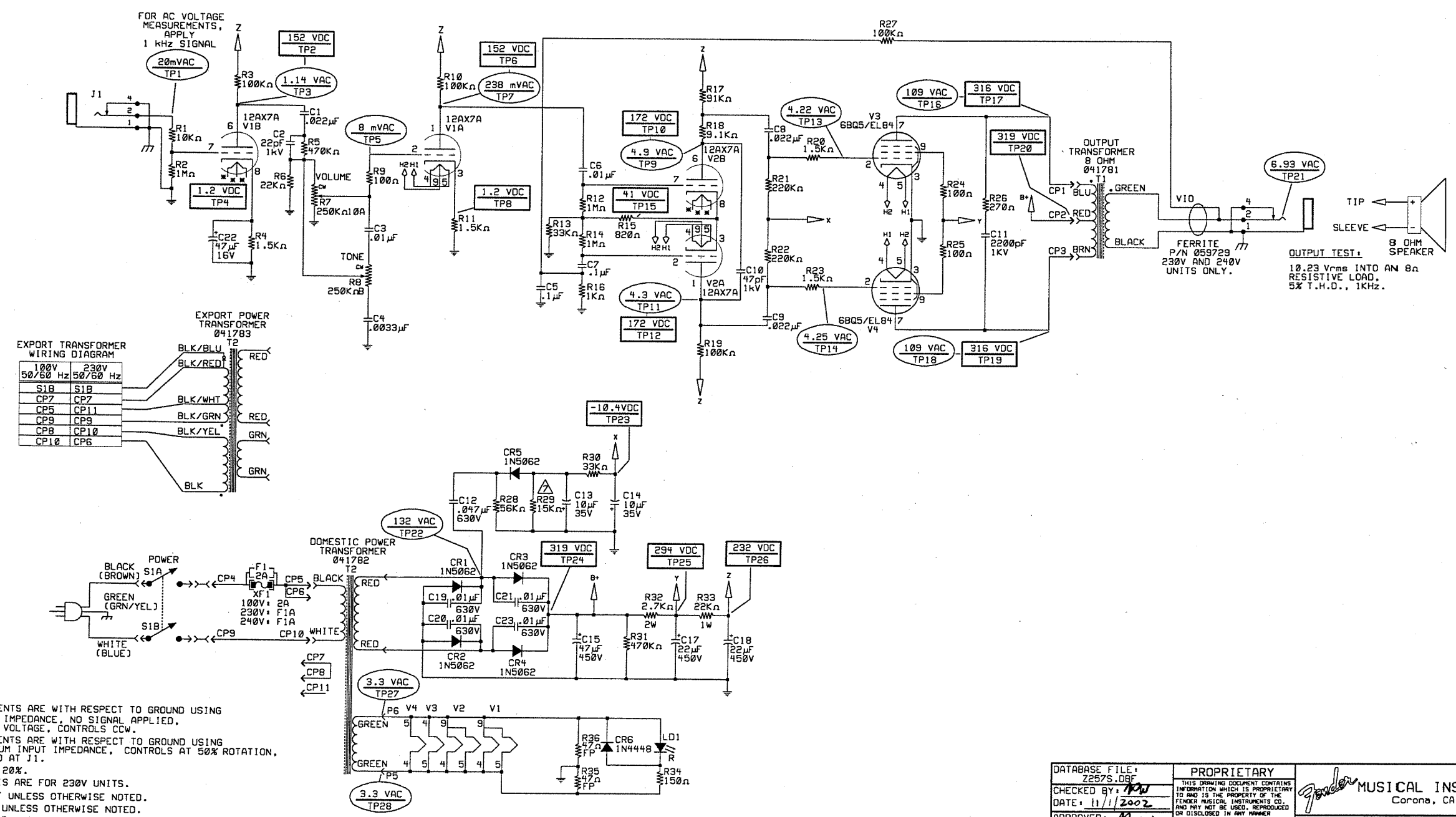
NEXT HIGHER ASSEMBLY:

Fender MUSICAL INSTRUMENTS
2621 Research Drive
Corona, CA 91720 USA

TITLE: SERVICE DIAGRAM
PRO JUNIOR

SIZE B	DRAWN: J S SAMS	DRAWING NUMBER 047422	REV. D
SCALE: NONE	ENGR: J S SAMS	CREATED: PLOTTED: 03-DEC-98	SHEET 1 OF 1

REVISIONS				
ZONE	REV.	DESCRIPTION	DATE	APPROVED
	B	EC 1093	10/21/93	JSS
	C	ECO L02942	10/7/94	MDW
	D	EC 2063	7/29/98	MDW
	E	EC 2827	9/24/02	MDW



EXPORT TRANSFORMER WIRING DIAGRAM

100V 50/60 Hz	230V 50/60 Hz	Color
S1B	S1B	BLK/BLU
CP7	CP7	BLK/RED
CP5	CP11	BLK/WHT
CP9	CP9	BLK/GRN
CP8	CP10	BLK/YEL
CP10	CP6	BLK

- NOTES:
- DC VOLTAGE MEASUREMENTS ARE WITH RESPECT TO GROUND USING A DVM OF 10MΩ INPUT IMPEDANCE, NO SIGNAL APPLIED, 120 VAC, 60 Hz LINE VOLTAGE, CONTROLS CCW.
 - AC VOLTAGE MEASUREMENTS ARE WITH RESPECT TO GROUND USING A DVM OF 1 MΩ MINIMUM INPUT IMPEDANCE, CONTROLS AT 50% ROTATION, 1 KHz SIGNAL APPLIED AT J1.
 - VOLTAGES MAY VARY ± 20%.
 - COLORS IN PARENTHESIS ARE FOR 230V UNITS.
 - ALL RESISTORS 1/2 WATT UNLESS OTHERWISE NOTED.
 - ALL CAPACITORS 400V UNLESS OTHERWISE NOTED.
 - R29 IS 18kΩ (FENDER P/N 048993) IN ALL EXPORT UNITS FOR 50Hz OPERATION.
 - INSTANCES NOT USED: C16

DATABASE FILE: Z257S.DBF CHECKED BY: <i>JSS</i> DATE: 11/1/2002 APPROVED: <i>JSS</i> DATE: 11-1-02 TOLERANCES: UNLESS OTHERWISE NOTED X.X ±0.050" X.XX ±0.010" X.XXX ±0.005" ANGLES ±0.500°	PROPRIETARY THIS DRAWING DOCUMENT CONTAINS INFORMATION WHICH IS PROPRIETARY TO AND IS THE PROPERTY OF FENDER MUSICAL INSTRUMENTS CO. AND MAY NOT BE USED, REPRODUCED OR DISCLOSED IN ANY MANNER WITHOUT THE EXPRESSED WRITTEN CONSENT FROM: FENDER MUSICAL INSTRUMENTS CORP. CORONA, CA U.S.A. ROCK ON. NEXT HIGHER ASSEMBLY:	Fender MUSICAL INSTRUMENTS Corona, CA U.S.A. TITLE: SCHEMATIC DIAGRAM PRO JUNIOR SIZE: D DRAWN: R. MURRAY ENGR: J. S. SAMIS DRAWING NUMBER: 0047420000 REV. E CREATED: 24-MAY-93 PLOTTED: 25-SEP-02 SHEET 1 OF 1
---------------------------------------------------------------------------------------------------------------------------------------------------------------------------------------------------------------------------	----------------------------------------------------------------------------------------------------------------------------------------------------------------------------------------------------------------------------------------------------------------------------------------------------------------------------------------------	----------------------------------------------------------------------------------------------------------------------------------------------------------------------------------------------------------------------------------------------------

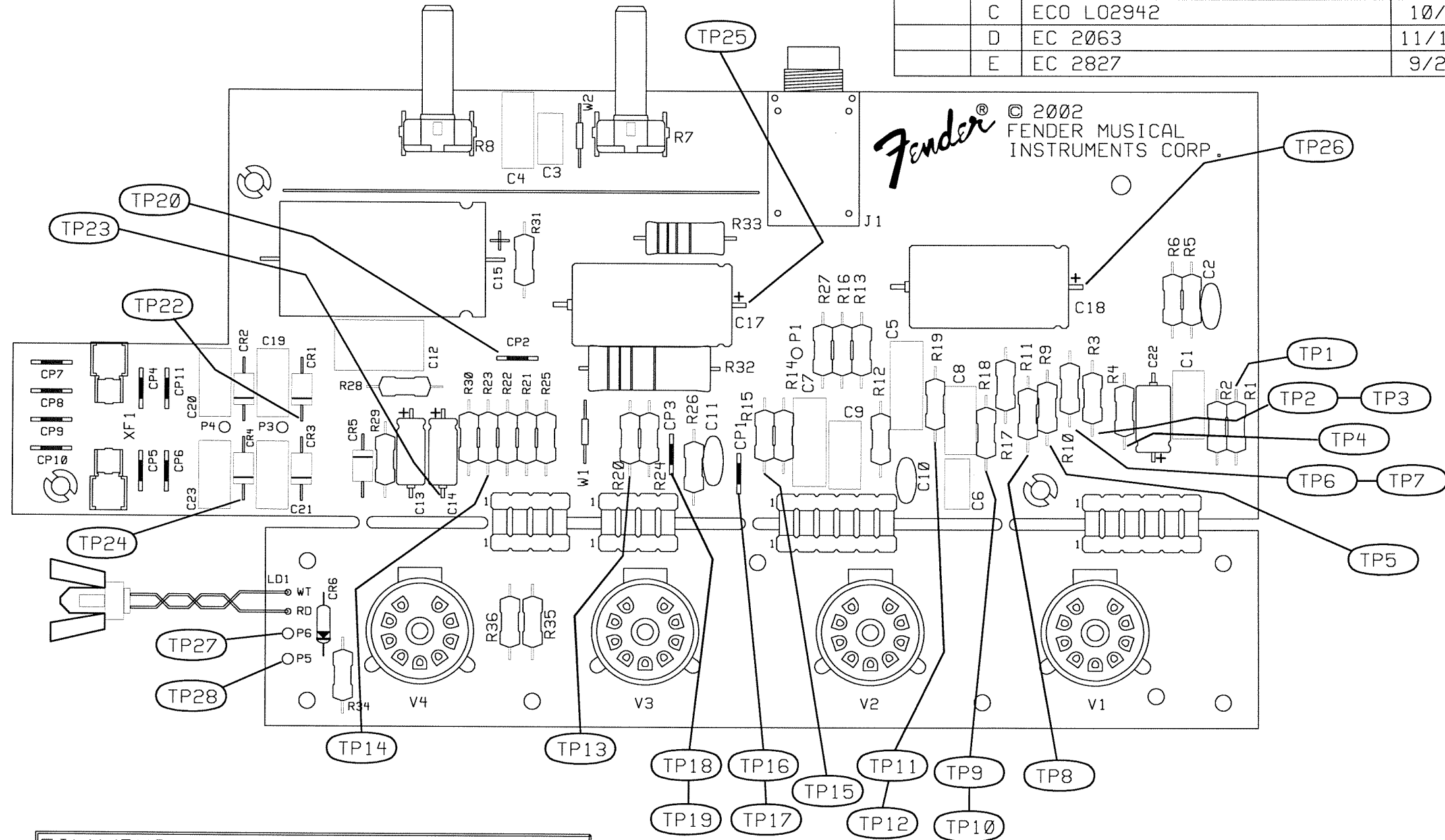
PART NO. 0047421000 SHEET 1 OF 1

NOTES :

1.) INSTANCES NOT USED: C16

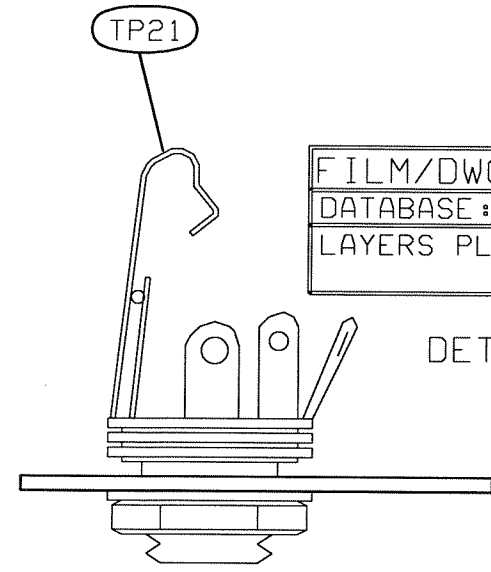
REVISIONS

ZONE	REV.	DESCRIPTION	DATE	APPROVED
	B	EC 1093	12/16/93	JSS
	C	ECO L02942	10/7/94	MDW
	D	EC 2063	11/18/98	MDW
	E	EC 2827	9/23/02	MDW



Fender® © 2002
FENDER MUSICAL INSTRUMENTS CORP.

FILM/DWG: SERVICE DIAGRAM	
DATABASE: Z257P.DBF	DATE: 25-SEP-02
LAYERS PLOTTED: 1 2 3 4	10
	18



DETAIL A: LOCATION OF TP21
CHASSIS MOUNTED
SPEAKER JACK

DATABASE FILE: Z257P.DBF	
CHECKED BY: <i>[Signature]</i>	DATE: <i>11-1-02</i>
APPROVED: <i>[Signature]</i>	DATE: <i>11/1/2002</i>
TOLERANCES: UNLESS OTHERWISE NOTED	
X.X	±0.050"
X.XX	±0.010"
X.XXX	±0.005"
ANGLES	±0.500°

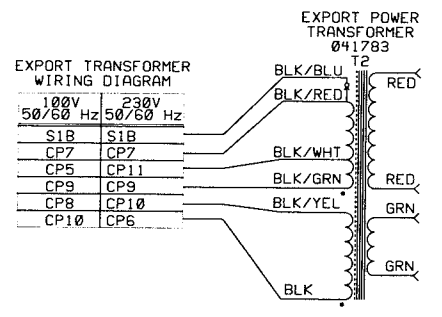
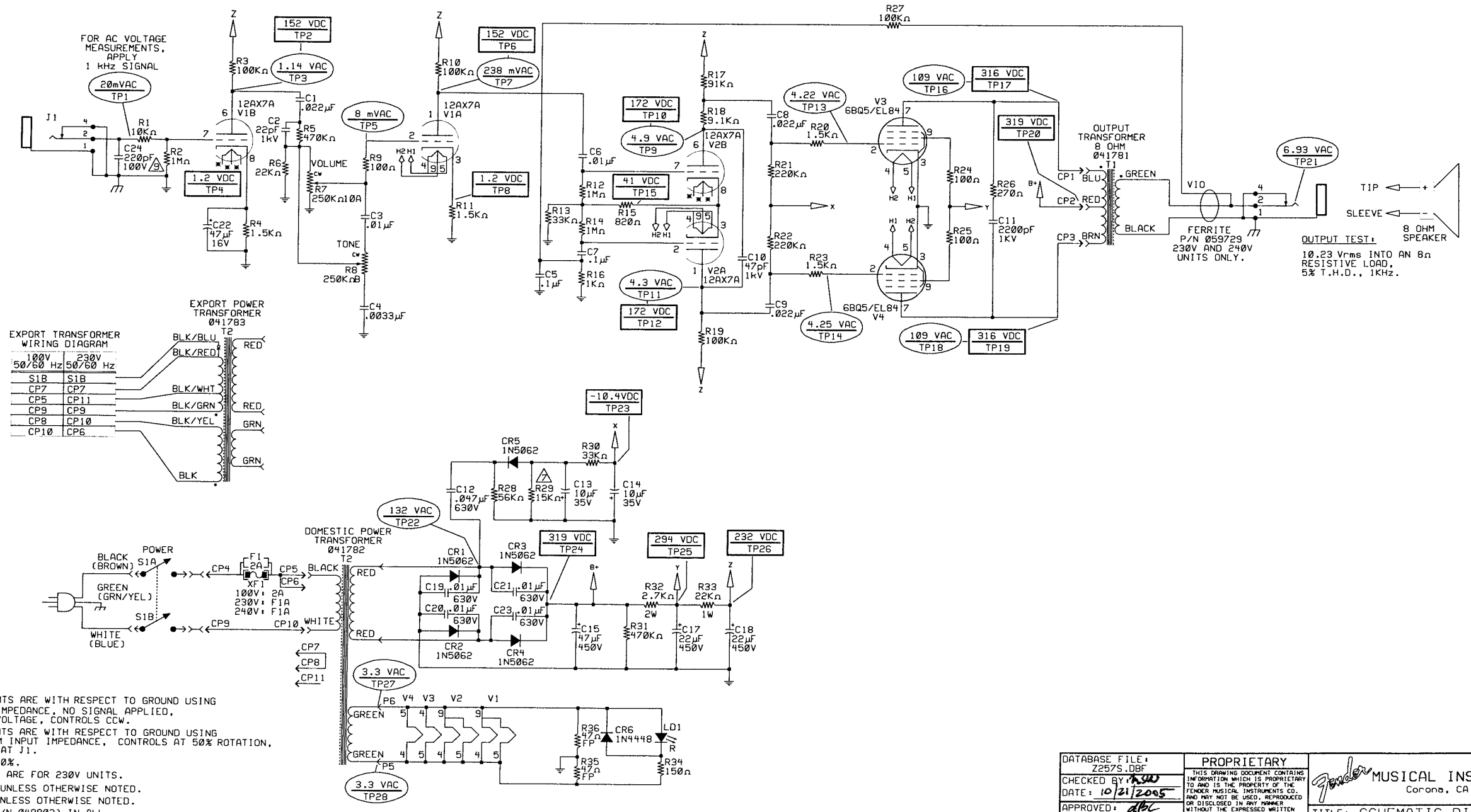
PROPRIETARY	
THIS DRAWING DOCUMENT CONTAINS INFORMATION WHICH IS PROPRIETARY TO AND IS THE PROPERTY OF THE FENDER MUSICAL INSTRUMENTS CO. AND MAY NOT BE USED, REPRODUCED OR DISCLOSED IN ANY MANNER WITHOUT THE EXPRESSED WRITTEN CONSENT FROM:	
FENDER MUSICAL INSTRUMENTS CO. REGIONAL HEADQUARTERS CORONA, CA U.S.A.	
NEXT HIGHER ASSEMBLY:	

Fender MUSICAL INSTRUMENTS
Corona, CA U.S.A.

TITLE: SERVICE DIAGRAM
PRO JUNIOR

SIZE	DRAWN: J S SAMS	DRAWING NUMBER	REV.
B	ENGR: J S SAMS	0047422000	E
SCALE: NONE	CREATED: 10-JUN-93	PLOTTED: 25-SEP-02 SHEET 1 OF 1	

REVISIONS				
ZONE	REV.	DESCRIPTION	DATE	APPROVED
	B	EC 1093	10/21/93	JSS
	C	ECO L02942	10/7/94	MDW
	D	EC 2063	7/29/98	MDW
	E	EC 2827	9/24/02	MDW
	F	EC 3261	7/29/05	MDW



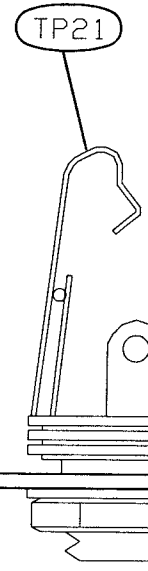
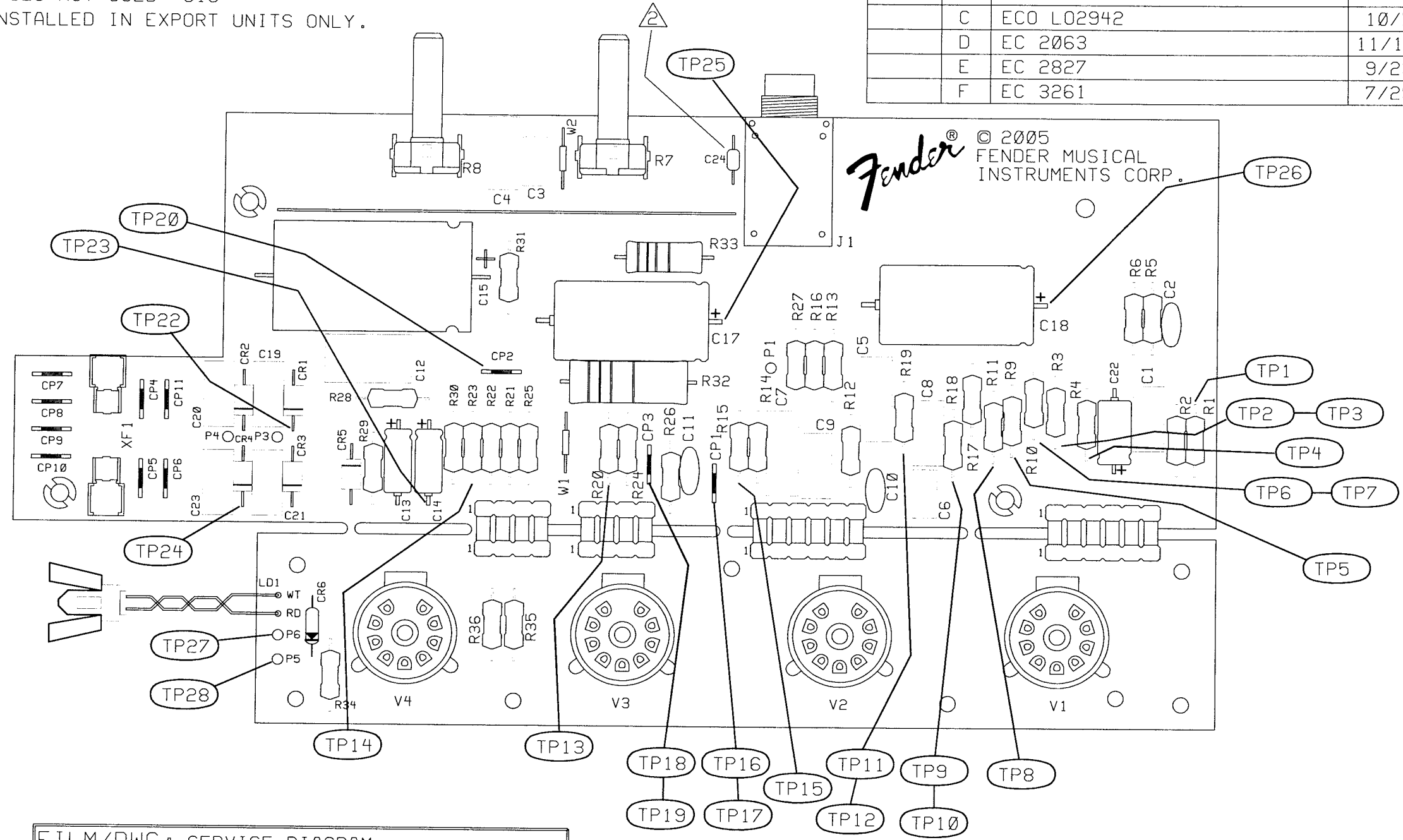
- NOTES:
- DC VOLTAGE MEASUREMENTS ARE WITH RESPECT TO GROUND USING A DVM OF 10MΩ INPUT IMPEDANCE, NO SIGNAL APPLIED, 120 VAC, 60 Hz LINE VOLTAGE, CONTROLS CCW.
 - AC VOLTAGE MEASUREMENTS ARE WITH RESPECT TO GROUND USING A DVM OF 1 MΩ MINIMUM INPUT IMPEDANCE, CONTROLS AT 50% ROTATION, 1 KHz SIGNAL APPLIED AT J1.
 - VOLTAGES MAY VARY ± 20%.
 - COLORS IN PARENTHESIS ARE FOR 230V UNITS.
 - ALL RESISTORS 1/2 WATT UNLESS OTHERWISE NOTED.
 - ALL CAPACITORS 400V UNLESS OTHERWISE NOTED.
 - R29 IS 18KΩ (FENDER P/N 048903) IN ALL EXPORT UNITS FOR 50Hz OPERATION.
 - INSTANCES NOT USED: C16
 - C24 INSTALLED IN EXPORT UNITS ONLY.

DATABASE FILE: Z257S.DBF CHECKED BY: <i>[Signature]</i> DATE: 10/21/2005 APPROVED: <i>[Signature]</i> DATE: 11/3/05 TOLERANCES: UNLESS OTHERWISE NOTED X.X ±0.050" X.XX ±0.010" X.XXX ±0.005" ANGLES ±0.500°	PROPRIETARY THIS DRAWING DOCUMENT CONTAINS INFORMATION WHICH IS PROPRIETARY TO AND IS THE PROPERTY OF THE FENDER MUSICAL INSTRUMENTS CO. AND MAY NOT BE USED, REPRODUCED OR DISCLOSED IN ANY MANNER WITHOUT THE EXPRESSED WRITTEN CONSENT FROM: FENDER MUSICAL INSTRUMENTS CORP. REGIONAL HEADQUARTERS CORONA, CA U.S.A. ROCK ON. NEXT HIGHER ASSEMBLY:	Fender MUSICAL INSTRUMENTS Corona, CA U.S.A. TITLE: SCHEMATIC DIAGRAM PRO JUNIOR SIZE: D DRAWN: R.MURRAY ENGR: J.S.SAMS SCALE: NONE DRAWING NUMBER: 0047420000 PLOTTED: 29-JUL-05 REV. F SHEET 1 OF 1
--------------------------------------------------------------------------------------------------------------------------------------------------------------------------------------------------------------------------------------------	---------------------------------------------------------------------------------------------------------------------------------------------------------------------------------------------------------------------------------------------------------------------------------------------------------------------------------------------------------------------------	----------------------------------------------------------------------------------------------------------------------------------------------------------------------------------------------------------------------------------------

NOTES:

- 1.) INSTANCES NOT USED: C16
-  C24 INSTALLED IN EXPORT UNITS ONLY.

REVISIONS				
ZONE	REV.	DESCRIPTION	DATE	APPROVED
	C	ECO L02942	10/7/94	MDW
	D	EC 2063	11/18/98	MDW
	E	EC 2827	9/23/02	MDW
	F	EC 3261	7/29/05	MDW



FILM/DWG: SERVICE DIAGRAM
 DATABASE: Z257P.DBF DATE: 29-JUL-05
 LAYERS PLOTTED: 1 2 3 4 10
 18

DETAIL A: LOCATION OF TP21
 CHASSIS MOUNTED
 SPEAKER JACK

DATABASE FILE:
 Z257P.DBF
 CHECKED BY: *MDW*
 DATE: 10/21/2005
 APPROVED: *dpx*
 DATE: 11/3/05
 TOLERANCES: UNLESS OTHERWISE NOTED
 X.X ±0.050"
 X.XX ±0.010"
 X.XXX ±0.005"
 ANGLES ±0.500°

PROPRIETARY
 THIS DRAWING DOCUMENT CONTAINS INFORMATION WHICH IS PROPRIETARY TO AND IS THE PROPERTY OF THE FENDER MUSICAL INSTRUMENTS CO. AND MAY NOT BE USED, REPRODUCED OR DISCLOSED IN ANY MANNER WITHOUT THE EXPRESSED WRITTEN CONSENT FROM:
 FENDER MUSICAL INSTRUMENTS CO.
 REGIONAL HEADQUARTERS
 CORONA, CA U.S.A.
 NEXT HIGHER ASSEMBLY:

Fender MUSICAL INSTRUMENTS
 Corona, CA U.S.A.

TITLE: SERVICE DIAGRAM
 PRO JUNIOR

SIZE	DRAWN: J S SAMS	DRAWING NUMBER	REV.
B	ENGR: J S SAMS	0047422000	F
SCALE: NONE	CREATED: 10-JUN-93	SHEET 1 OF 1	
	PLOTTED: 29-JUL-05		